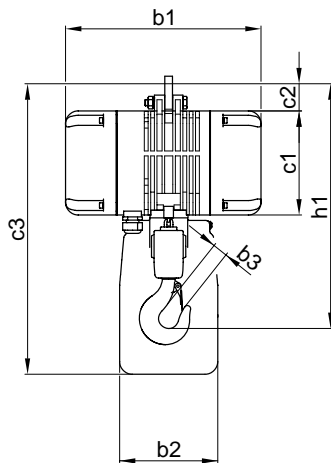
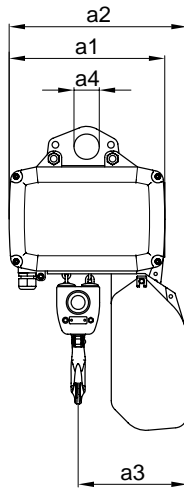


### Electric chain hoists GCH



- Low voltage 42 volts control with emergency stop
- Upper and lower electrical gearbox limit switch
- Wear resistant overload slip clutch; with asbestos free lining
- Heat treated gears in oil bath
- Wear resistant brake
- Special load chain to DIN 5684, cadmium plated, grade 8
- Load hook to DIN 15401
- Motor protection: IP 55 to DIN 40050
- Motor insulation: F

Specification											
ISO (FEM) classification	M3 (1Bm) 150 s/h 25% duty	M4 (1Am) 180 s/h 30% duty	M5 (2m) 240 s/h 40% duty	M6 (3m) 300 s/h 50% duty	M7 (4m) 360 s/h 60% duty	Lifting speed	Motor power (M3)	3 x 400V 50Hz (M3)	No. of chain falls	Dead weight 3 m lift	
Types	Capacity [kg]					[m/min]	[kW]	[A]		[kg]	
GCH 250/1 N	250	200	160	125	100	8	0.36	1.3	1	19	
GCH 250/1 NF	250	200	160	125	100	8/2	0.36/0.09	2.7/3.0	1	22	
GCH 250/1 SF	160	125	100	100	100	12.5/3	0.36/0.09	2.7/3.0	1	22	
GCH 250/1 HF	100	100	100	100	100	20/5	0.36/0.09	2.7/3.0	1	22	
GCH 250/2 N	500	400	320	250	200	4	0.36	1.3	2	22.5	
GCH 250/2 NF	500	400	320	250	200	4/1	0.36/0.09	2.7/3.0	2	23	
GCH 250/2 SF	320	250	200	160	125	6.25/1.5	0.36/0.09	2.7/3.0	2	23	
GCH 500/1 N	500	400	320	250	200	8	0.72	2.1	1	20	
GCH 500/1 NF	500	400	320	250	200	8/2	0.72/0.18	2.9/3.0	1	22.5	
GCH 500/1 SF	320	250	200	160	125	12.5/3	0.72/0.18	2.9/3.0	1	22.5	
GCH 500/1 HF	200	160	125	100	100	20/5	0.72/0.18	2.9/3.0	1	22.5	
GCH 500/2 N	1'000	800	630	500	400	4	0.72	2.1	2	24.5	
GCH 500/2 NF	1'000	800	630	500	400	4/1	0.72/0.18	2.9/3.0	2	25	
GCH 500/2 SF	630	500	400	320	250	6.25/1.5	0.72/0.18	2.9/3.0	2	25	
GCH 1000/1 N	1'000	800	630	500	400	8	1.45	3.7	1	45	
GCH 1000/1 NF	1'000	800	630	500	400	8/2	1.45/0.36	4.0/2.8	1	46	
GCH 1000/1 SF	500	400	320	250	200	16/4	1.45/0.36	5.8/2.6	1	48	
GCH 1000/2 N	2'000	1'600	1'250	1'000	800	4	1.45	3.7	2	50	
GCH 1000/2 NF	2'000	1'600	1'250	1'000	800	4/1	1.45/0.36	4.0/2.8	2	51	
GCH 1000/2 SF	1'000	800	630	500	400	8/2	1.45/0.36	5.8/2.6	2	53	
GCH 1600/1 N	1'600	1'250	1'000	800	630	8	2.44	6.0	1	63	
GCH 1600/1 NF	1'600	1'250	1'000	800	630	8/2	2.44/0.61	6.6/4.2	1	65	
GCH 1600/1 SF	1'000	800	630	500	400	12.5/3	2.39/0.58	6.6/4.2	1	65	
GCH 1600/2 N	3'200	2'500	2'000	1'600	1'250	4	2.44	6.0	2	73	
GCH 1600/2 NF	3'200	2'500	2'000	1'600	1'250	4/1	2.44/0.61	6.6/4.2	2	75	
GCH 1600/2 SF	2'000	1'600	1'250	1'000	800	6.25/1.5	2.39/0.58	6.6/4.2	2	75	
GCH 2000/1 N	2'000	1'600	1'250	1'000	800	8	3.05	7.3	1	65	
GCH 2000/1 NF	2'000	1'600	1'250	1'000	800	8/2	3.05/0.77	8.0/4.5	1	67	
GCH 2000/1 SF	1'250	1'000	800	630	500	12.5/3	2.98/0.72	8.0/4.5	1	67	
GCH 2000/2 N	4'000	3'200	2'500	2'000	1'600	4	3.05	7.3	2	76	
GCH 2000/2 NF	4'000	3'200	2'500	2'000	1'600	4/1	3.05/0.77	8.0/4.5	2	78	
GCH 2000/2 SF	2'500	2'000	1'600	1'250	1'000	6.25/1.5	2.98/0.72	8.0/4.5	2	78	
GCH 2500/1 N	2'500	2'000	1'600	1'250	1'000	6.4	3.05	7.7	1	65	
GCH 2500/1 NF	2'500	2'000	1'600	1'250	1'000	6.4/1.6	3.05/0.77	8.2/4.4	1	67	
GCH 2500/1 SF	1'600	1'250	1'000	800	630	10/2.5	3.05/0.77	8.2/4.4	1	67	
GCH 2500/2 N	5'000	4'000	3'200	2'500	2'000	3.2	3.05	7.7	2	76	
GCH 2500/2 NF	5'000	4'000	3'200	2'500	2'000	3.2/0.8	3.05/0.77	8.2/4.4	2	78	
GCH 2500/2 SF	3'200	2'500	2'000	1'600	1'250	5/1.25	3.05/0.77	8.2/4.4	2	78	

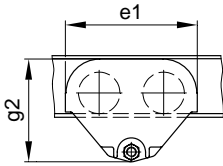
Dimensions											
Types	a1 [mm]	a2 [mm]	a3 [mm]	a4 [mm]	b1 [mm]	b2 [mm]	b3 [mm]	c1 [mm]	c2 [mm]	c3 [mm]	h1 [mm]
GCH 250/1	246	281	146	40	309	155	22	164	53	398	369
GCH 250/2	246	281	164	40	309	155	22	164	53	398	408
GCH 500/1	246	281	146	40	309	155	22	164	53	398	377
GCH 500/2	246	281	169	40	309	155	22	164	53	398	417
GCH 1000/1	321	367	190	52	367	180	32	214	69	565	482
GCH 1000/2	321	367	224	52	367	180	32	214	69	565	556
GCH 1600/1	345	424	220	75	389	180	37	230	135	646	608
GCH 1600/2	345	424	263	75	389	180	37	230	135	646	690
GCH 2000/1	345	424	220	75	389	180	37	230	135	646	608
GCH 2000/2	345	424	263	75	389	180	37	230	135	646	690
GCH 2500/1	345	424	220	75	389	180	37	230	135	646	608
GCH 2500/2	345	424	263	75	389	180	37	230	135	646	690

Standard ..... : lifting height 3 m / 1.8 m control cable  
 GCH 250/500 and GCH 1000: suspension with eyebolt  
 GCH 1600/2000/2500: without suspension parts

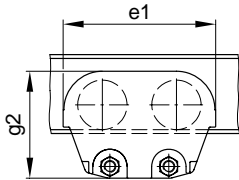
Options..... : chain / control cable extended (lifts up to 120 m)  
 GCH 250/500 and GCH 1000: suspension with hook  
 GCH 1600/2000/2500: suspension with eyebolt or hook; suspension part for travel trolleys

Push travel trolleys EHF and electric travel trolleys EMFE

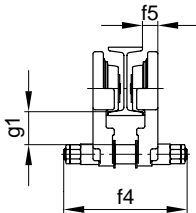
**EHF 50/150**



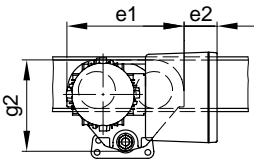
**EHF 300/500**



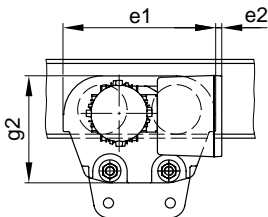
**EHF 50/150/300/500**



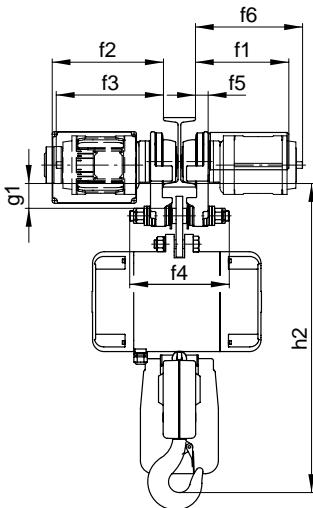
**EMFE 50/150**



**EMFE 300/500**



**EMFE 50/150/300/500**



Specification									
ISO (FEM) classification	M3 (1Bm) 150 s/h 25% duty	M4 (1Am) 180 s/h 30% duty	M5 (2m) 240 s/h 40% duty	M6 (3m) 300 s/h 50% duty	M7 (4m) 360 s/h 60% duty	Travelling speed	Motor power (M3)	3 x 400V 50Hz (M3)	Dead weight
Types	Capacity [kg]					[m/min]	[kW]	[A]	[kg]
EHF 50	1'000	800	630	630	500	-	-	-	7.5
EMFE 50/N	1'000	800	630	630	500	12	0.25	0.8	27
EMFE 50/NF	1'000	800	630	630	500	12/4	0.15/0.045	0.65/0.75	27
EMFE 50/SF	800	800	630	630	500	20/6	0.15/0.045	0.65/0.75	27
EHF 150	2'000	2'000	1'600	1'600	1'250	-	-	-	13.5
EMFE 150/N	2'000	2'000	1'600	1'600	1'250	12	0.25	0.8	31
EMFE 150/NF	2'000	2'000	1'600	1'600	1'250	12/4	0.15/0.045	0.65/0.75	31
EMFE 150/SF	1'600	1'600	1'600	1'600	1'250	20/6	0.15/0.045	0.65/0.75	31
EHF 300	4'000	4'000	3'200	2'500	2'500	-	-	-	27.5
EMFE 300/N	4'000	4'000	3'200	2'500	2'500	12	0.25	0.8	50
EMFE 300/NF	4'000	4'000	3'200	2'500	2'500	12/4	0.15/0.045	0.65/0.75	50
EMFE 300/SF	3'200	3'200	3'200	2'500	2'500	20/6	0.15/0.045	0.65/0.75	50
EHF 500	5'000	4'000	3'200	3'200	2'500	-	-	-	27.5
EMFE 500/N	5'000	4'000	3'200	3'200	2'500	12	2x0.25	2x0.8	57
EMFE 500/NF	5'000	4'000	3'200	3'200	2'500	12/4	2x0.15/0.045	2x0.65/0.75	57
EMFE 500/SF	4'000	4'000	3'200	3'200	2'500	20/6	2x0.15/0.045	2x0.65/0.75	57

Dimensions								
Types	e1 [mm]	e2 [mm]	f1 [mm]	f2 [mm]	f3 [mm]	f4 [mm]	f5 [mm]	f6 [mm]
EHF 50	215	-	-	-	-	183	23	-
EMFE 50	215	62	209	250	241	183	23	-
EHF 150	250	-	-	-	-	230	27	-
EMFE 150	250	43	211	253	242	230	27	-
EHF 300	311	-	-	-	-	290	31	-
EMFE 300	311	12	217	259	249	290	31	-
EHF 500	311	-	-	-	-	290	31	-
EMFE 500	311	12	-	259	249	290	31	249

Types	g1 [mm]	g2 [mm]	h2 [mm]				Flange width [mm]
			GCH 250/1	GCH 250/2	GCH 500/1	GCH 500/2	
EHF 50	49	167	418	457	426	466	50 - 99
EMFE 50	49	167	418	457	426	466	50 - 99
			GCH 1000/1	GCH 1000/2			
EHF 150	60	203	542	616			76 - 139
EMFE 150	60	203	542	616			76 - 139
			GCH 1600/1	GCH 1600/2	GCH 2000/1	GCH 2000/2	
EHF 300	55	218	637	719	637	719	120 - 179
EMFE 300	55	218	637	719	637	719	120 - 179
			GCH 2500/1	GCH 2500/2			
EHF 500	55	218	637	719			120-179
EMFE 500	55	218	637	719			120-179

Options..... : other flange widths  
electric travel trolley with brake

Standard voltages..... : 3Ph 230V, 50Hz; 3Ph 400V, 50Hz

Special voltages..... : on request

Selection of travel trolleys ..... : GCH 250/500..... : EHF/EMFE 50  
GCH 1000..... : EHF/EMFE 150  
GCH 1600/2000 ... : EHF/EMFE 300  
GCH 2500..... : EHF/EMFE 500

<p><b>GIS AG</b> Hebe- und Fördertechnik Luzernerstrasse 50 CH-6247 Schötz Tel. +41 (0)41 984 11 33 Fax +41 (0)41 984 11 44</p>	<p>tel@gis-ag.ch www.gis-ag.ch</p>	<p><b>GIS GmbH</b> Hebe- und Fördertechnik Feldbergstrasse 17 DE-79689 Maulburg Tel. +49 (0)7622 677 30 Fax +49 (0)7622 677 319</p>	<p>mail@gis-gmbh.de www.gis-gmbh.de</p>
---	--	---	---